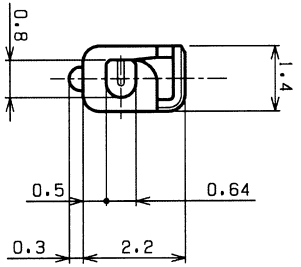
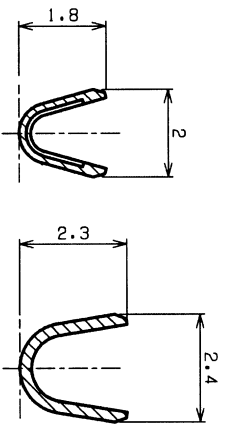
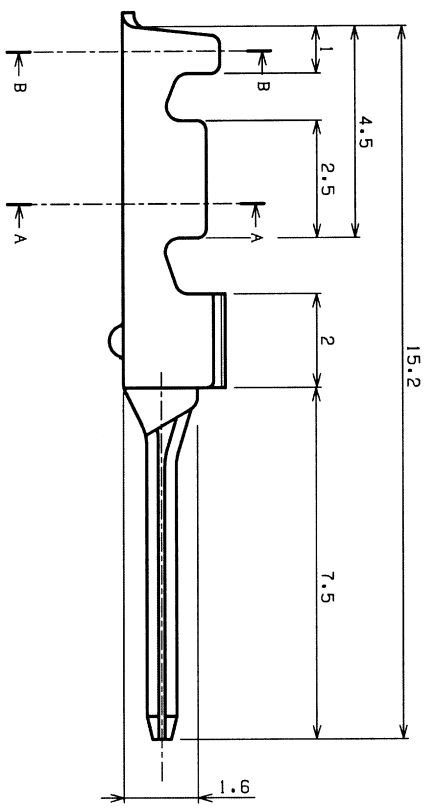
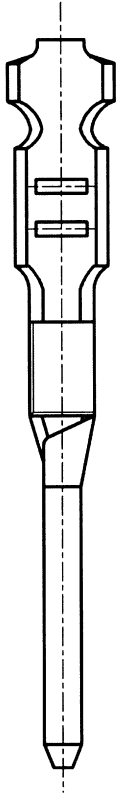


1 2 3 4 5 6 7 8

REV	DESCRIPTION	DATE	DESIGNED
1	Drawing renewal	Sep. 20, 2000	K. Yuasa



NOTE
 1. Applicable wire range AWG#22, #24, #26
 Outer diameter 1.4~1.74
 2. Unless otherwise specified tolerances are
 2L20:±0.2
 L23:±0.3



1	TAB contact	BRASS	t=0.25	TIN-PLATED	
No.	PART NAME	MATERIAL		SURFACE FINISH	REMARKS
SIZE	UNIT	SCALE	PROJECTION	DATE	
A3	METRIC	10:1	1st	SEP. 20, 2000	
APPROVED	CHECKED	DESIGNED	DRAWN		
A. Tomita		K. Yuasa	N. Murata		
CUSTOMER			SERIES		
JST J.S.T. MFG. CO., LTD			TAB CONTACT, JWPF CONNECTOR		
DRAWING No.			PART No.		
KRD-25213-1			SWPT-001T-025		
RO					

THIS DRAWING CONTAINS INFORMATION THAT IS PROPRIETARY TO J.S.T. AND SHOULD NOT BE USED WITHOUT WRITTEN PERMISSION.

EC4109-2